



MIKROMILL

Nut- und Formzirkularfräsen

groove milling
by circular interpolation

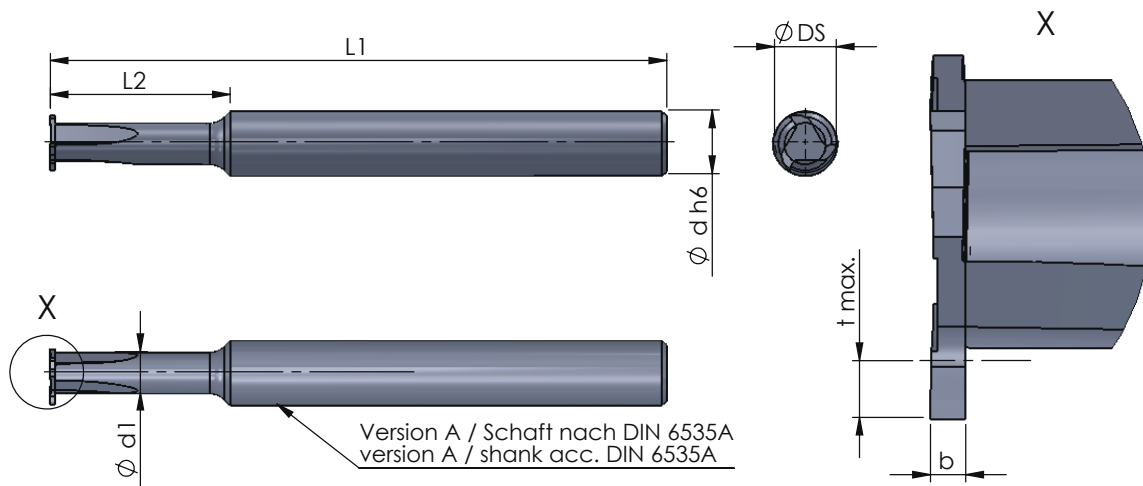
Typ MA6 / MA8

Nutfräsen allgemein

groove milling general use

Bohrungs-Ø ab 6 mm

bore Ø from 6 mm



Abmessungen in mm

dimensions in mm

neu
neu

Bestellnummer part number	D min.	b ± 0.02	L2	L1	Ø d h6	Ø d1	Ø DS	t max.	Schneidenzahl cutting edge			
										K10F	AL41F	P18C
MA6.0050.00-15	6	0.5	15	58	6	3.8	5.8	0.8	3	●		
MA6.0060.00-15	6	0.6	15	58	6	3.8	5.8	0.8	3	●		
MA6.0070.00-15	6	0.7	15	58	6	3.8	5.8	0.8	3	●		
MA6.0080.00-15	6	0.8	15	58	6	3.8	5.8	0.8	3	●		
MA6.0090.00-15	6	0.9	15	58	6	3.8	5.8	0.8	3	●		
MA6.0100.00-15	6	1.0	15	58	6	3.8	5.8	0.8	3	●		
MA6.0150.00-15	6	1.5	15	58	6	3.8	5.8	0.8	3	●		
MA8.0070.00-25	8	0.7	25	68	8	5	7.8	1.2	3		●	
MA8.0080.00-25	8	0.8	25	68	8	5	7.8	1.2	3		●	
MA8.0090.00-25	8	0.9	25	68	8	5	7.8	1.2	3		●	
MA8.0100.00-25	8	1.0	25	68	8	5	7.8	1.2	3		●	
MA8.0150.00-25	8	1.5	25	68	8	5	7.8	1.2	3		●	
MA8.0200.00-25	8	2.0	25	68	8	5	7.8	1.2	3		●	

weitere HM Sorten siehe Hauptkatalog Seite 370

more carbide grades main catalogue page 370

Bestellbeispiel:
für Sorte AL41F:
MA6.0050.00-15/AL41F

order-example:
grade AL41F:
MA6.0050.00-15/AL41F

MIKROMILL

Nut- und Formzirkularfräsen

groove milling
by circular interpolation

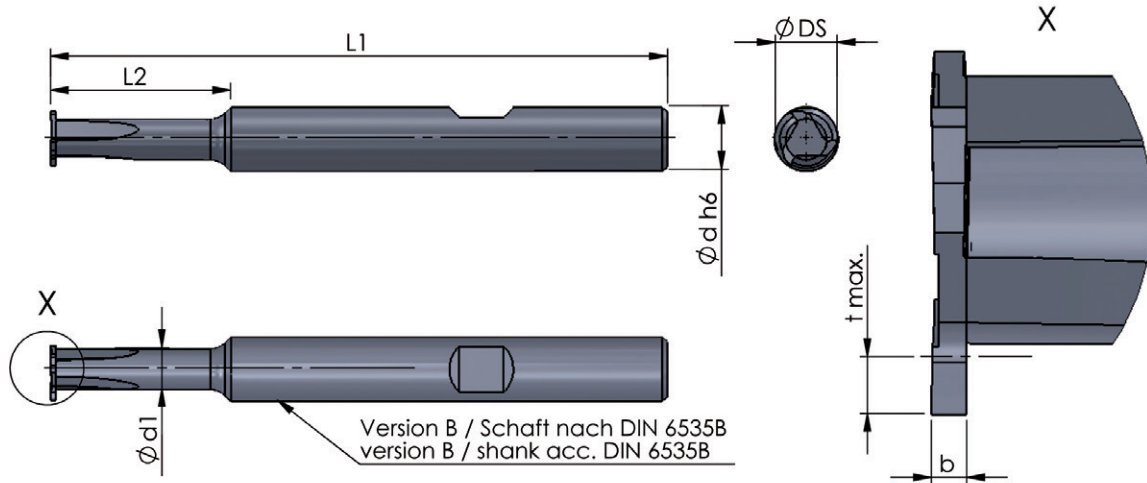
Typ MB6 / MB8

Nutfräsen allgemein

groove milling general use

Bohrungs-Ø ab 6 mm

bore Ø from 6 mm



Abmessungen in mm

dimensions in mm



neu
neu

Bestellnummer part number	D min.	b ± 0.02	L2	L1	Ø d h6	Ø d1	Ø DS	t max.	Schneidenzahl cutting edge			
										K10F	AL41F	P18C
MB6.0050.00-15	6	0.5	15	58	6	3.8	5.8	0.8	3		●	
MB6.0060.00-15	6	0.6	15	58	6	3.8	5.8	0.8	3		●	
MB6.0070.00-15	6	0.7	15	58	6	3.8	5.8	0.8	3		●	
MB6.0080.00-15	6	0.8	15	58	6	3.8	5.8	0.8	3		●	
MB6.0090.00-15	6	0.9	15	58	6	3.8	5.8	0.8	3		●	
MB6.0100.00-15	6	1.0	15	58	6	3.8	5.8	0.8	3		●	
MB6.0150.00-15	6	1.5	15	58	6	3.8	5.8	0.8	3		●	
MB8.0070.00-25	8	0.7	25	68	8	5	7.8	1.2	3		●	
MB8.0080.00-25	8	0.8	25	68	8	5	7.8	1.2	3		●	
MB8.0090.00-25	8	0.9	25	68	8	5	7.8	1.2	3		●	
MB8.0100.00-25	8	1.0	25	68	8	5	7.8	1.2	3		●	
MB8.0150.00-25	8	1.5	25	68	8	5	7.8	1.2	3		●	
MB8.0200.00-25	8	2.0	25	68	8	5	7.8	1.2	3		●	

weitere HM Sorten siehe Hauptkatalog Seite 370

more carbide grades main catalogue page 370

Bestellbeispiel:
für Sorte AL41F:
MB6.0050.00-15/AL41F

order-example:
grade AL41F:
MB6.0050.00-15/AL41F