

MIKROMILL

Nut- und Formzirkularfräsen

groove milling
by circular interpolation

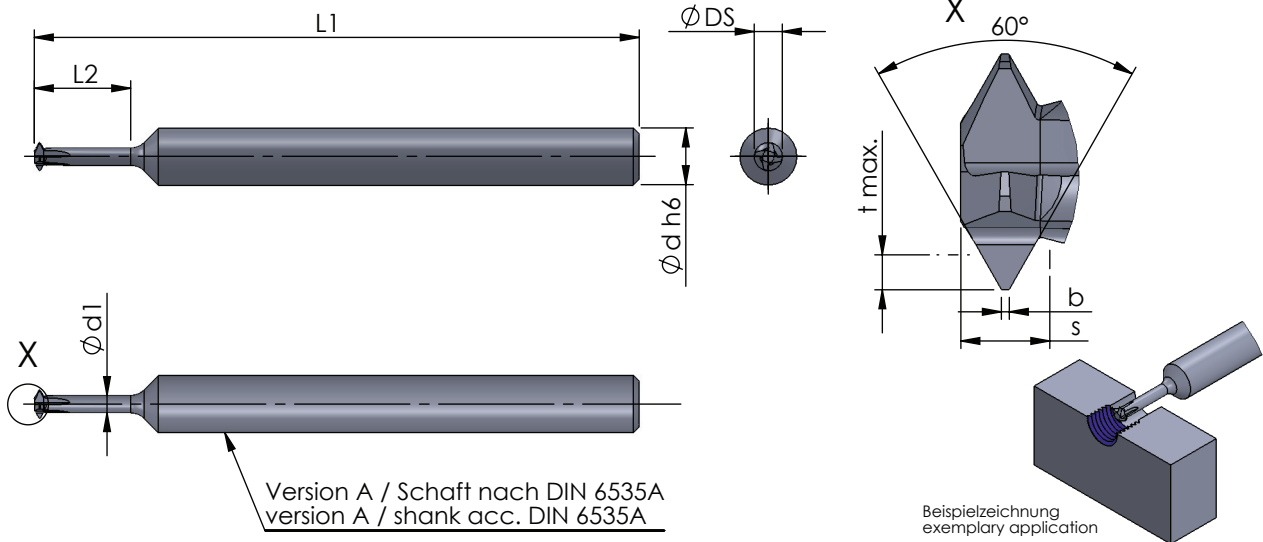
Typ MA3 / MA5 / MA6 / MA8

metrisches ISO-Feingewinde,
Teilprofil

metric ISO-fine thread milling,
partial profile

Bohrungs-Ø ab 1.3 mm

bore Ø from 1.3 mm



Abmessungen in mm

dimensions in mm

Bestellnummer part number	D min.	Steigung P pitch P	min.Gewindegröße min. thread size	L2	L1	b	s	t max.	Ø d h6	Ø d1	Ø DS	Schneidenzahl cutting edge			
													K10F	AL41F	P18C
MA3.0035.01-4	1.3	0.35	M1.6	4	32	0.04	0.4	0.19	3	0.67	1.18	3	●	●	●
MA3.0035.01-5	1.58	0.35	M1.8	5	32	0.04	0.4	0.19	3	0.86	1.38	3	●	●	●
MA3.0040.01-5	2.07	0.4	M2.5	5	32	0.05	0.6	0.22	3	0.92	1.5	4	●	●	●
MA3.0045.01-6	2.52	0.45	M3.0	6	32	0.06	0.6	0.25	3	1.28	1.95	4	●	●	●
MA3.0050.01-7	2.96	0.5	M3.5	7	32	0.06	0.6	0.27	3	1.67	2.4	4	●	●	●
MA3.0060.01-8	3.35	0.6	M4.0	8	32	0.08	0.8	0.33	3	1.93	2.8	4	●	●	●
MA5.0070.01-9	3.74	0.7	M4.5	9	44	0.09	0.8	0.38	5	2.12	3.1	4	●	●	●
MA5.0080.01-10	4.63	0.8	M5.5	10	44	0.10	1.0	0.43	5	2.97	4.1	4	●	●	●
MA5.0100.01-12	5.92	1.0	M7	12	44	0.13	1.2	0.54	5	3.51	4.9	4	●	●	●
MA5.0100.01-15	6.92	1.0	M7	15	44	0.13	1.2	0.54	5	3.5	4.9	4	●	●	●
MA6.0815.01-15	6.0	0.5-1.5	M7	15	58	0.06	1.6	0.92	6	3.5	5.8	3	●	●	●
MA8.0815.01-25	8.0	0.5-1.5	M9	25	68	0.06	2.0	0.91	8	5.5	7.8	3	●	●	●
MA8.1020.01-25	8.0	1.0-2.0	M10	25	68	0.12	2.0	1.19	8	5.0	7.8	3	●	●	●

Weitere HM Sorten können Sie in der Sortenübersicht im Kapitel "Technische Hinweise" und der Preisliste finden.

Bestellbeispiel:
für Sorte AL41F:
MA3.0035.01-4/AL41F

More carbide grades you can find in the grades summary in the chapter "technical instructions" and in the price list.

order-example:
grade AL41F:
MA3.0035.01-4/AL41F