

FM-LINE

VHM - Mikrofräser

solid carbide micro end mills

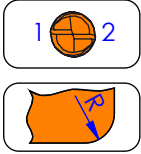
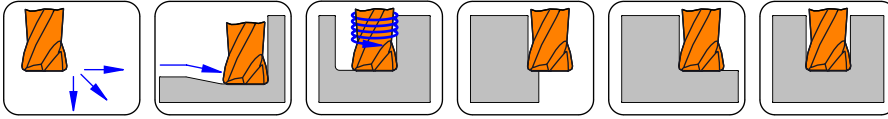
Typ FMR ...

VHM - Mikro - Torusfräser
mit Radius

solid carbide micro torus end mill
with radius

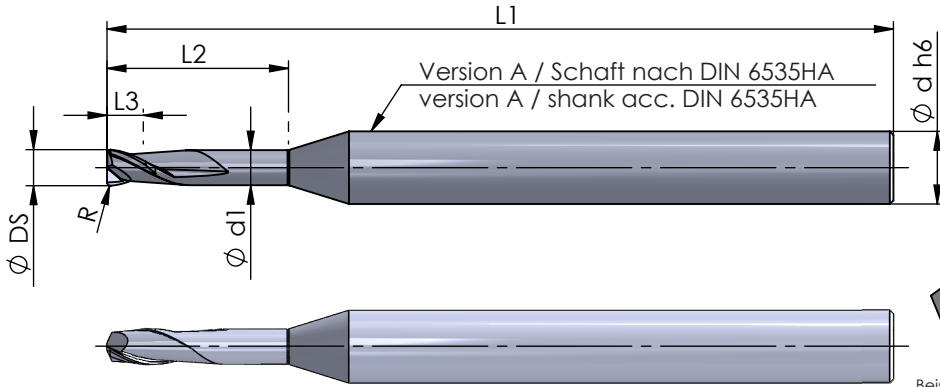
Fräser - Ø DS \triangleq 0.2 - 6.0 mm

mill - Ø DS \triangleq 0.2 - 6.0 mm



1 2

A



Beispielzeichnung
exemplary application

Schneidrichtung (R):
wie gezeichnet

cutting direction (R): as shown

Abmessungen in mm

dimensions in mm

Bestellnummer part number	Ø DS	R	Ø d h6	Ø d1	L1	L2	L3	P04C
neu FM0020.006.R02	0.2	0.02	6.0	0.18	55	0.6	0.2	●
neu FM0020.010.R02	0.2	0.02	6.0	0.18	55	1.0	0.2	●
neu FM0020.016.R02	0.2	0.02	6.0	0.18	55	1.6	0.5	●
neu FM0020.020.R02	0.2	0.02	6.0	0.18	55	2.0	0.5	●
neu FM0030.009.R03	0.3	0.03	6.0	0.28	55	0.9	0.5	●
neu FM0030.015.R03	0.3	0.03	6.0	0.28	55	1.5	0.5	●
neu FM0030.024.R03	0.3	0.03	6.0	0.28	55	2.4	1.2	●
neu FM0030.030.R03	0.3	0.03	6.0	0.28	55	3.0	1.2	●
neu FM0040.012.R04	0.4	0.04	6.0	0.37	55	1.2	0.5	●
neu FM0040.020.R04	0.4	0.04	6.0	0.37	55	2.0	1.2	●
neu FM0040.032.R04	0.4	0.04	6.0	0.37	55	3.2	1.2	●
neu FM0040.040.R04	0.4	0.04	6.0	0.37	55	4.0	1.2	●
↳ ...								

Bestellbeispiel:
für Sorte P04C:
FM0020.006.R02/P04C

order-example:
grade P04C:
FM0020.006.R02/P04C

FM-LINE

VHM - Mikrofräser

solid carbide micro end mills

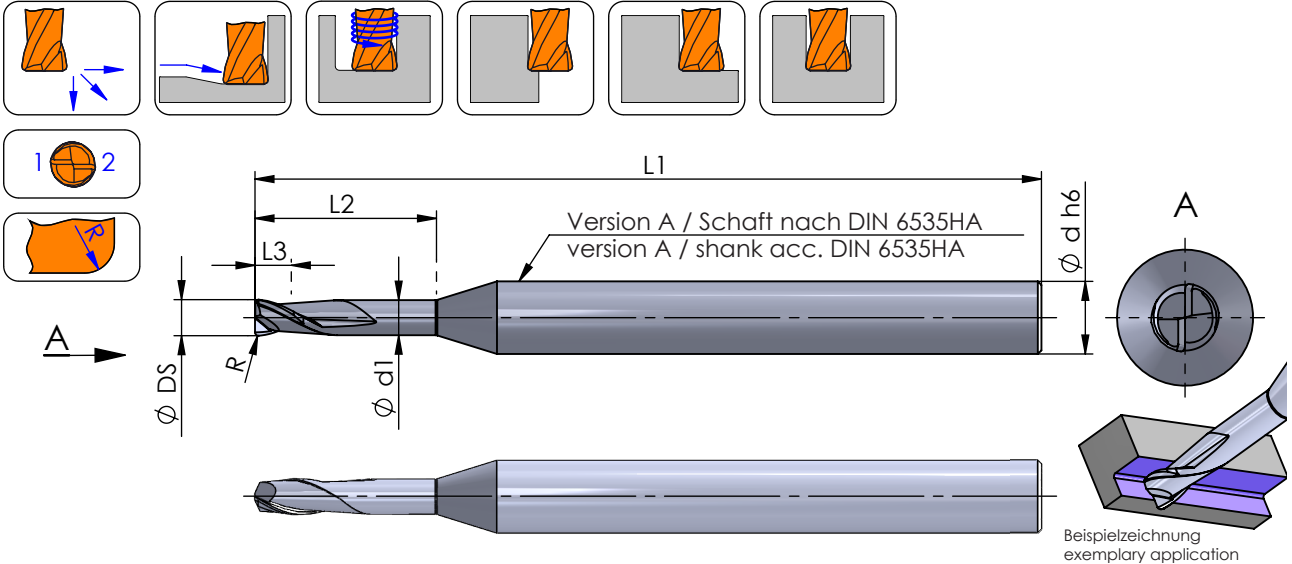
Typ FMR ...

VHM - Mikro - Torusfräser mit Radius

solid carbide micro torus end mill with radius

Fräser - Ø DS \triangleq 0.2 - 6.0 mm

mill - Ø DS \triangleq 0.2 - 6.0 mm



Schneidrichtung (R): wie gezeichnet

cutting direction (R): as shown

Abmessungen in mm

dimensions in mm

Bestellnummer part number	Ø DS	R	Ø d h6	Ø d1	L1	L2	L3	P04C
...								
neu FM0050.015.R05	0.5	0.05	6.0	0.45	55	1.5	0.5	●
neu FM0050.025.R05	0.5	0.05	6.0	0.45	55	2.5	1.2	●
neu FM0050.040.R05	0.5	0.05	6.0	0.45	55	4.0	1.2	●
neu FM0050.050.R05	0.5	0.05	6.0	0.45	55	5.0	1.2	●
neu FM0060.020.R06	0.6	0.06	6.0	0.58	55	2.0	1.2	●
neu FM0060.030.R06	0.6	0.06	6.0	0.58	55	3.0	1.2	●
neu FM0060.050.R06	0.6	0.06	6.0	0.58	65	5.0	1.2	●
neu FM0060.060.R06	0.6	0.06	6.0	0.58	65	6.0	1.2	●
neu FM0080.025.R08	0.8	0.08	6.0	0.77	55	2.5	1.2	●
neu FM0080.040.R08	0.8	0.08	6.0	0.77	55	4.0	1.2	●
neu FM0080.065.R08	0.8	0.08	6.0	0.77	65	6.5	1.2	●
neu FM0080.080.R08	0.8	0.08	6.0	0.77	65	8.0	1.2	●
↳ ...								

Bestellbeispiel:
für Sorte P04C:
FM0050.015.R05/P04C

order-example:
grade P04C:
FM0050.015.R05/P04C

FM-LINE

VHM - Mikrofräser

solid carbide micro end mills

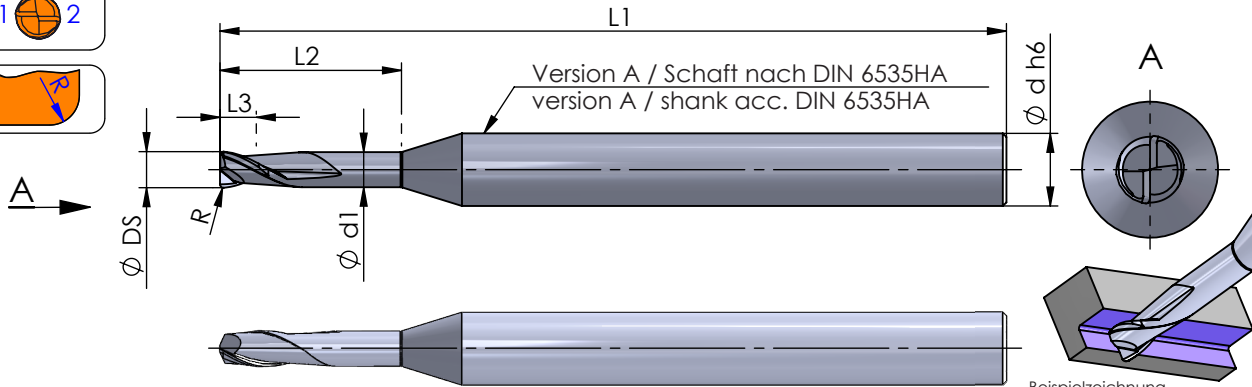
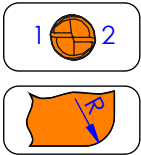
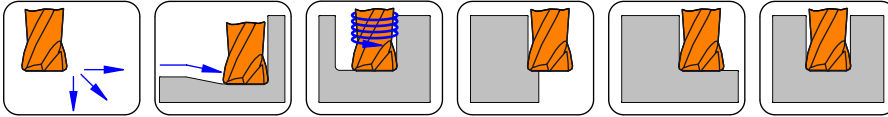
Typ FMR ...

VHM - Mikro - Torusfräser
mit Radius

solid carbide micro torus end mill
with radius

Fräser - Ø DS \triangleq 0.2 - 6.0 mm

mill - Ø DS \triangleq 0.2 - 6.0 mm



Schneidrichtung (R):
wie gezeichnet

cutting direction (R): as shown

Abmessungen in mm

dimensions in mm

Beispielzeichnung
exemplary application

Bestellnummer part number	Ø DS	R	Ø d h6	Ø d1	L1	L2	L3	P04C
...								
neu FM0100.030.R10	1.0	0.10	6.0	0.95	55	3.0	1.5	●
neu FM0100.050.R10	1.0	0.10	6.0	0.95	55	5.0	1.5	●
neu FM0100.080.R10	1.0	0.10	6.0	0.95	65	8.0	1.5	●
neu FM0100.100.R10	1.0	0.10	6.0	0.95	65	10.0	1.5	●
neu FM0100.120.R10	1.0	0.10	6.0	0.95	65	12.0	1.5	●
neu FM0120.030.R12	1.2	0.12	6.0	1.15	55	3.0	1.6	●
neu FM0120.060.R12	1.2	0.12	6.0	1.15	55	6.0	1.6	●
neu FM0120.100.R12	1.2	0.12	6.0	1.15	65	10.0	1.6	●
neu FM0120.120.R12	1.2	0.12	6.0	1.15	65	12.0	1.6	●
neu FM0130.040.R13	1.3	0.13	6.0	1.25	55	4.0	1.7	●
neu FM0130.070.R13	1.3	0.13	6.0	1.25	55	7.0	1.7	●
neu FM0130.110.R13	1.3	0.13	6.0	1.25	65	11.0	1.7	●
neu FM0130.120.R13	1.3	0.13	6.0	1.25	65	12.0	1.7	●
neu FM0130.130.R13	1.3	0.13	6.0	1.25	65	13.0	1.7	●
...								

Bestellbeispiel:
für Sorte P04C:
FM0100.030.R10/P04C

order-example:
grade P04C:
FM0100.030.R10/P04C

FM-LINE

VHM - Mikrofräser

solid carbide micro end mills

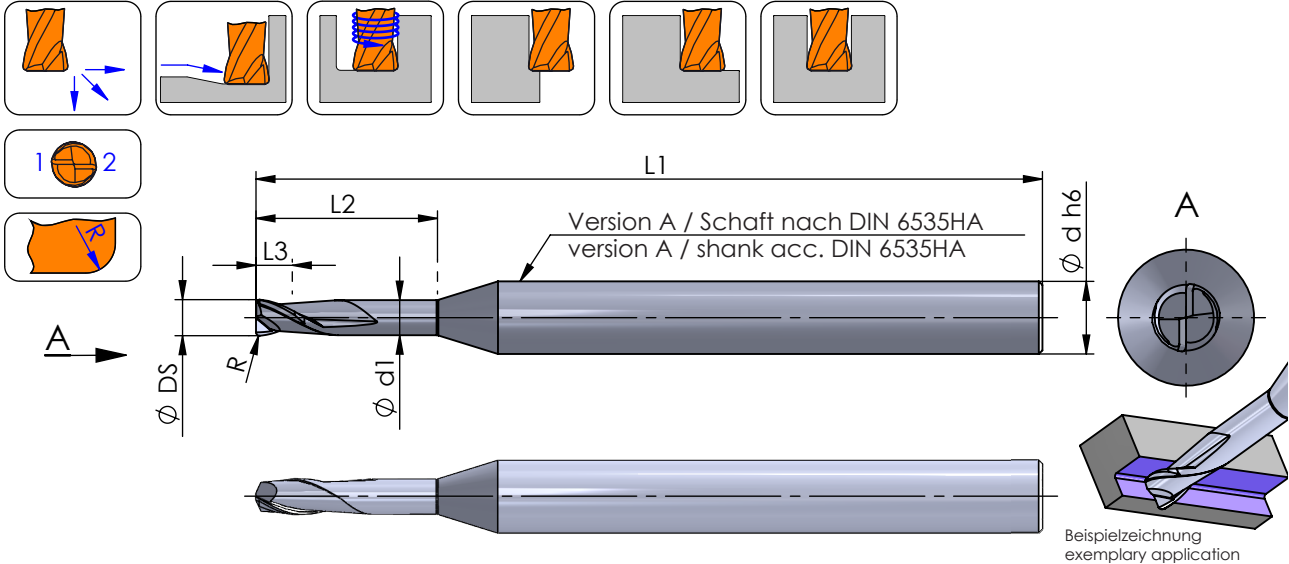
Typ FMR ...

VHM - Mikro - Torusfräser mit Radius

solid carbide micro torus end mill with radius

Fräser - Ø DS \triangleq 0.2 - 6.0 mm

mill - Ø DS \triangleq 0.2 - 6.0 mm



Schneidrichtung (R): wie gezeichnet

cutting direction (R): as shown

Abmessungen in mm

dimensions in mm

Bestellnummer part number	Ø DS	R	Ø d h6	Ø d1	L1	L2	L3	P04C
...								
neu FM0150.050.R15	1.5	0.15	6.0	1.44	55	5.0	1.8	●
neu FM0150.075.R15	1.5	0.15	6.0	1.44	55	7.5	1.8	●
neu FM0150.120.R15	1.5	0.15	6.0	1.44	65	12.0	1.8	●
neu FM0150.150.R15	1.5	0.15	6.0	1.44	65	15.0	1.8	●
neu FM0160.050.R16	1.6	0.16	6.0	1.52	55	5.0	1.8	●
neu FM0160.080.R16	1.6	0.16	6.0	1.52	55	8.0	1.8	●
neu FM0160.130.R16	1.6	0.16	6.0	1.52	65	13.0	1.8	●
neu FM0160.160.R16	1.6	0.16	6.0	1.52	65	16.0	1.8	●
neu FM0180.055.R18	1.8	0.18	6.0	1.72	55	5.5	1.8	●
neu FM0180.090.R18	1.8	0.18	6.0	1.72	55	9.0	1.8	●
neu FM0180.145.R18	1.8	0.18	6.0	1.72	65	14.5	1.8	●
neu FM0180.180.R18	1.8	0.18	6.0	1.72	65	18.0	1.8	●
↳ ...								

Bestellbeispiel:
für Sorte P04C:
FM0150.050.R15/P04C

order-example:
grade P04C:
FM0150.050.R15/P04C

FM-LINE

VHM - Mikrofräser

solid carbide micro end mills

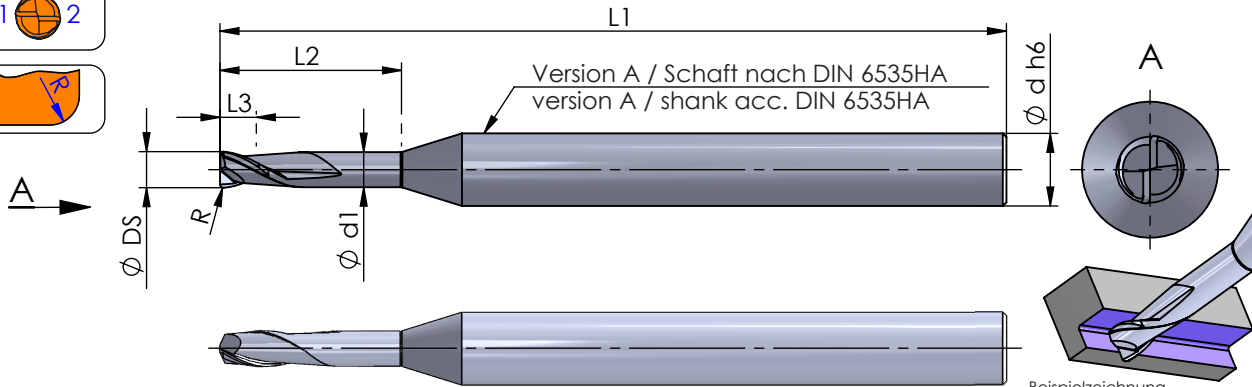
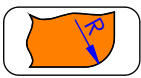
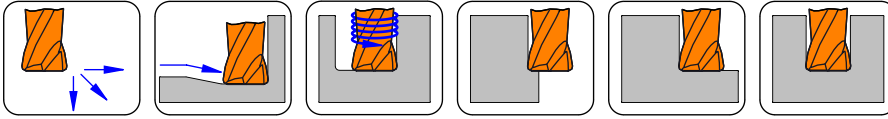
Typ FMR ...

VHM - Mikro - Torusfräser
mit Radius

solid carbide micro torus end mill
with radius

Fräser - Ø DS \triangleq 0.2 - 6.0 mm

mill - Ø DS \triangleq 0.2 - 6.0 mm



Schneidrichtung (R):
wie gezeichnet

cutting direction (R): as shown

Abmessungen in mm

dimensions in mm

Beispielzeichnung
exemplary application

Bestellnummer part number	Ø DS	R	Ø d h6	Ø d1	L1	L2	L3	P04C
...								
neu FM0200.060.R20	2.0	0.20	6.0	1.92	55	6.0	2.0	●
neu FM0200.100.R20	2.0	0.20	6.0	1.92	55	10.0	2.0	●
neu FM0200.140.R20	2.0	0.20	6.0	1.92	55	14.0	2.0	●
neu FM0200.160.R20	2.0	0.20	6.0	1.92	65	16.0	2.0	●
neu FM0200.200.R20	2.0	0.20	6.0	1.92	65	20.0	2.0	●
neu FM0230.070.R23	2.3	0.23	6.0	2.22	55	7.0	2.3	●
neu FM0230.115.R23	2.3	0.23	6.0	2.22	55	11.5	2.3	●
neu FM0230.185.R23	2.3	0.23	6.0	2.22	65	18.5	2.3	●
neu FM0230.200.R23	2.3	0.23	6.0	2.22	65	20.0	2.3	●
neu FM0230.230.R23	2.3	0.23	6.0	2.22	65	23.0	2.3	●
neu FM0300.090.R30	3.0	0.30	6.0	2.90	65	9.0	3.0	●
neu FM0300.150.R30	3.0	0.30	6.0	2.90	65	15.0	3.0	●
neu FM0300.240.R30	3.0	0.30	6.0	2.90	100	24.0	3.0	●
neu FM0300.300.R30	3.0	0.30	6.0	2.90	100	30.0	3.0	●
...								

Bestellbeispiel:
für Sorte P04C:
FM0200.060.R20/P04C

order-example:
grade P04C:
FM0200.060.R20/P04C

FM-LINE

VHM - Mikrofräser

solid carbide micro end mills

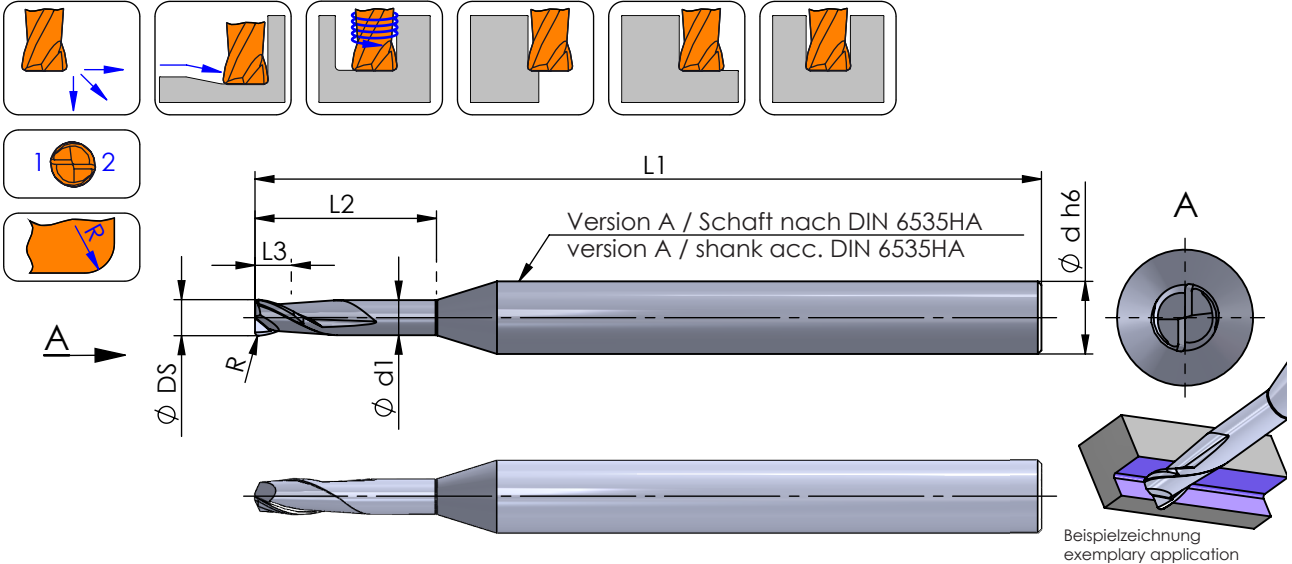
Typ FMR ...

VHM - Mikro - Torusfräser mit Radius

solid carbide micro torus end mill with radius

Fräser - Ø DS \triangleq 0.2 - 6.0 mm

mill - Ø DS \triangleq 0.2 - 6.0 mm



Schneidrichtung (R): wie gezeichnet

cutting direction (R): as shown

Abmessungen in mm

dimensions in mm

Bestellnummer part number	Ø DS	R	Ø d h6	Ø d1	L1	L2	L3	P04C
...								
neu FM0400.120.R40	4.0	0.40	6.0	3.90	65	12.0	4.0	●
neu FM0400.200.R40	4.0	0.40	6.0	3.90	65	20.0	4.0	●
neu FM0400.320.R40	4.0	0.40	6.0	3.90	100	32.0	4.0	●
neu FM0400.400.R40	4.0	0.40	6.0	3.90	100	40.0	4.0	●
neu FM0500.150.R50	5.0	0.50	6.0	4.90	65	15.0	5.0	●
neu FM0500.250.R50	5.0	0.50	6.0	4.90	65	25.0	5.0	●
neu FM0500.400.R50	5.0	0.50	6.0	4.90	100	40.0	5.0	●
neu FM0500.500.R50	5.0	0.50	6.0	4.90	100	50.0	5.0	●
neu FM0600.180.R60	6.0	0.60	6.0	5.90	65	18.0	6.0	●
neu FM0600.300.R60	6.0	0.60	6.0	5.90	100	30.0	6.0	●
neu FM0600.480.R60	6.0	0.60	6.0	5.90	100	48.0	6.0	●
neu FM0600.600.R60	6.0	0.60	6.0	5.90	100	60.0	6.0	●

Bestellbeispiel:
für Sorte P04C:
FM0400.120.R40/P04C

order-example:
grade P04C:
FM0400.120.R40/P04C