

Typ / type UHCM

Werkzeughalter

toolholder

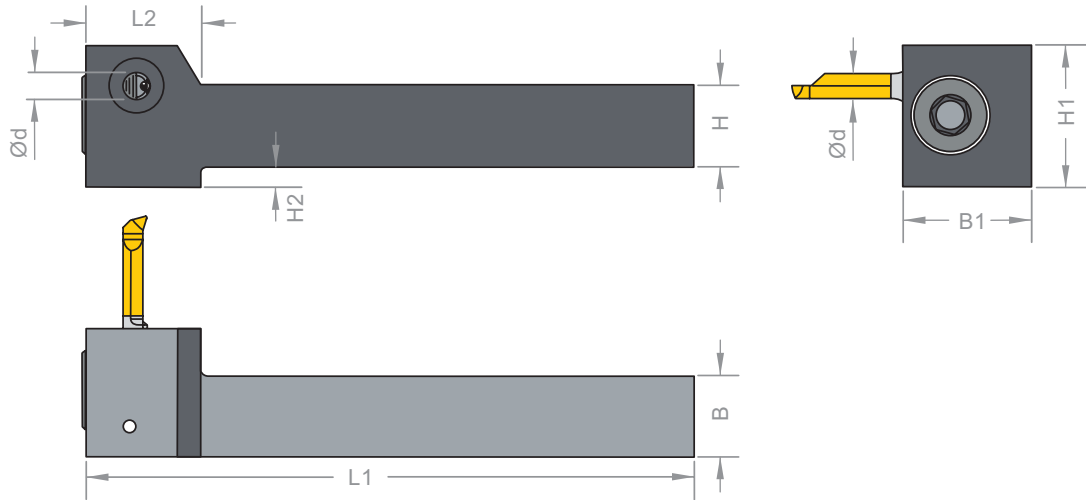
ab \square 12.0 mm
für Schneideinsätze
ab D min. \varnothing 0.2 mm - 7.0 mm

starting at \square 12.0 mm
for insert
D min. \varnothing 0.2 mm - 7.0 mm

ULTRAMINI

Bohrungsbearbeitung
ab \varnothing 0.2 mm

grooving, boring and profiling
starting at \varnothing 0.2 mm



Klemmhalter für rechte und linke
Schneideinsätze einsetzbar

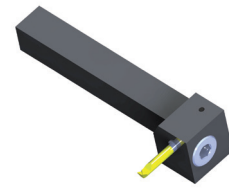
Abbildung: linksschneidend

Abmessungen in mm

toolholder for right and left
inserts

lefthand version shown

dimensions in mm



Bestellnummer
part number

\varnothing d H B L1 L2 B1 H1 H2

Ersatzteile
spare parts

| | | | | | | | | | |
|-----------------|---|----|----|-----|----|----|----|---|------|
| R/L.UHCM.1212.4 | 4 | 12 | 12 | 90 | 17 | 20 | 18 | - | UM12 |
| R/L.UHCM.1212.5 | 5 | 12 | 12 | 90 | 17 | 20 | 18 | - | UM12 |
| R/L.UHCM.1212.6 | 6 | 12 | 12 | 90 | 17 | 20 | 21 | 3 | UM16 |
| R/L.UHCM.1212.7 | 7 | 12 | 12 | 90 | 17 | 20 | 21 | 3 | UM16 |
| R/L.UHCM.1616.4 | 4 | 16 | 16 | 130 | 17 | 20 | 22 | - | UM12 |
| R/L.UHCM.1616.5 | 5 | 16 | 16 | 130 | 17 | 20 | 22 | - | UM12 |
| R/L.UHCM.1616.6 | 6 | 16 | 16 | 130 | 17 | 20 | 22 | - | UM16 |
| R/L.UHCM.1616.7 | 7 | 16 | 16 | 130 | 17 | 20 | 22 | - | UM16 |

ULTRAMINI

Bohrungsbearbeitung
ab \varnothing 0.2 mm

grooving, boring and profiling
starting at \varnothing 0.2 mm

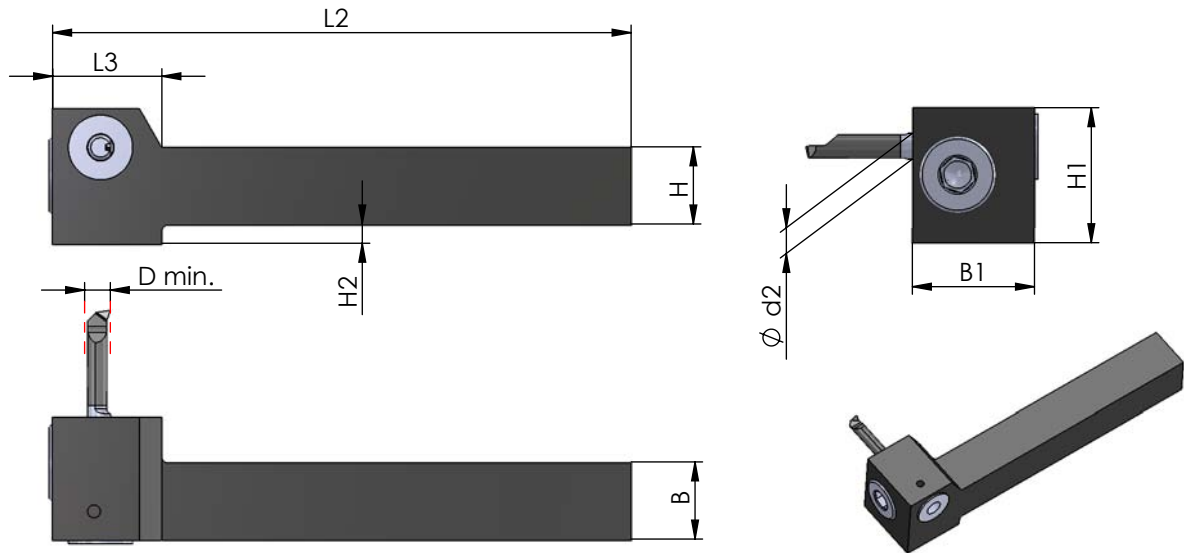
Typ UHCM

Klemmhalter
mit Innenkühlung

toolholder
with internal cooling

ab \square 12.0 mm
für Schneideinsätze
D min. \varnothing 0.2 mm - 6.8 mm

starting at \square 12.0 mm
for insert
min. \varnothing 0.2 mm - 6.8 mm



Klemmhalter für rechte und linke
Schneideinsätze einsetzbar

Abbildung: linksschneidend

Abmessungen in mm

toolholder for right and left
inserts usable

lefthand version shown

dimensions in mm



| Bestellnummer part number | D min. | H | B | L2 | L3 | B1 | H1 | H2 | Klemmelement locking element | Ø d2 |
|------------------------------|---------|----|----|-----|----|----|----|----|---------------------------------|------------------------------------|
| | | | | | | | | | | Ø d h6 Schneideinsatz insert |
| neu R/L .IK.UHCM.1212.4 | 0.2 - 5 | 12 | 12 | 90 | 17 | 20 | 18 | - | UM12 | 4 |
| neu R/L .IK.UHCM.1212.5 | 0.2 - 5 | 12 | 12 | 90 | 17 | 20 | 18 | - | UM12 | 5 |
| neu R/L .IK.UHCM.1212.6 | 6 | 12 | 12 | 90 | 17 | 20 | 21 | 3 | UM16 | 6 |
| neu R/L .IK.UHCM.1212.7 | 6.8 | 12 | 12 | 90 | 17 | 20 | 21 | 3 | UM16 | 7 |
| neu R/L .IK.UHCM.1616.4 | 0.2 - 5 | 16 | 16 | 130 | 17 | 20 | 22 | - | UM12 | 4 |
| neu R/L .IK.UHCM.1616.5 | 0.2 - 5 | 16 | 16 | 130 | 17 | 20 | 22 | - | UM12 | 5 |
| neu R/L .IK.UHCM.1616.6 | 6 | 16 | 16 | 130 | 17 | 20 | 22 | - | UM16 | 6 |
| neu R/L .IK.UHCM.1616.7 | 6.8 | 16 | 16 | 130 | 17 | 20 | 22 | - | UM16 | 7 |

Bestellbeispiel:
R.IK.UHCM.1212.4

order-example:
R.IK.UHCM.1212.4